

CITY OF VINELAND

November 21, 2017

REPORT TO: THE MAYOR AND COUNCIL

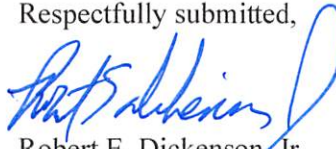
RE: Street Lighting Recommendations April 2018

Dear Mayor and Members of Council:

Submitted to you herewith is a request for street lighting improvements which is ready for your approval. A copy of the recommendation of the City of Vineland Electric Utility with respect to the request, along with a copy of the drawing identifying the area in question, is attached for your review.

Should you have any questions pertaining to this matter, please do not hesitate to contact this office.

Respectfully submitted,

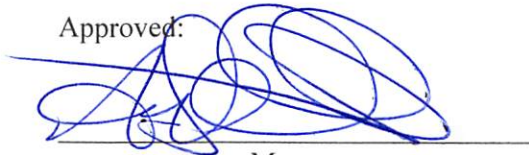


Robert E. Dickenson, Jr.
Business Administrator

/rl
Encls.

cc: John Lillie
Susan Baldosaro

Approved:



Mayor

4/13/2018

Date

CITY OF VINELAND

STREET LIGHTING RECOMMENDATIONS

APRIL 2018

REQUEST

RECOMMENDATIONS

1. Area of Almond Road
*(between Maurice River Bridge and
Delsea Drive)*
Drawing No. VMEU-2859

Upgrade sixteen (16) existing street lights to 72W LED (relocating two), and three (3) to 108W LED (relocating two). Install thirteen (13) additional 72W LED street lights onto existing utility poles.

VINELAND MUNICIPAL ELECTRIC UTILITY
VINELAND, NEW JERSEY 08360



STREET LIGHT REQUEST

DATE: March 14, 2018

TO: Bob Dickenson
Business Administrator

PROPOSED BY:

RE: Survey at : Area of Almond Rd. between NAME: John T. Boyle
Maurice River Bridge and Delsea Dr.

ADDRESS: VMU

The preceding-mentioned location has been surveyed by VMU to ensure proper street lighting in conformance with standard City practice. As a result, we propose the following enhancement(s):

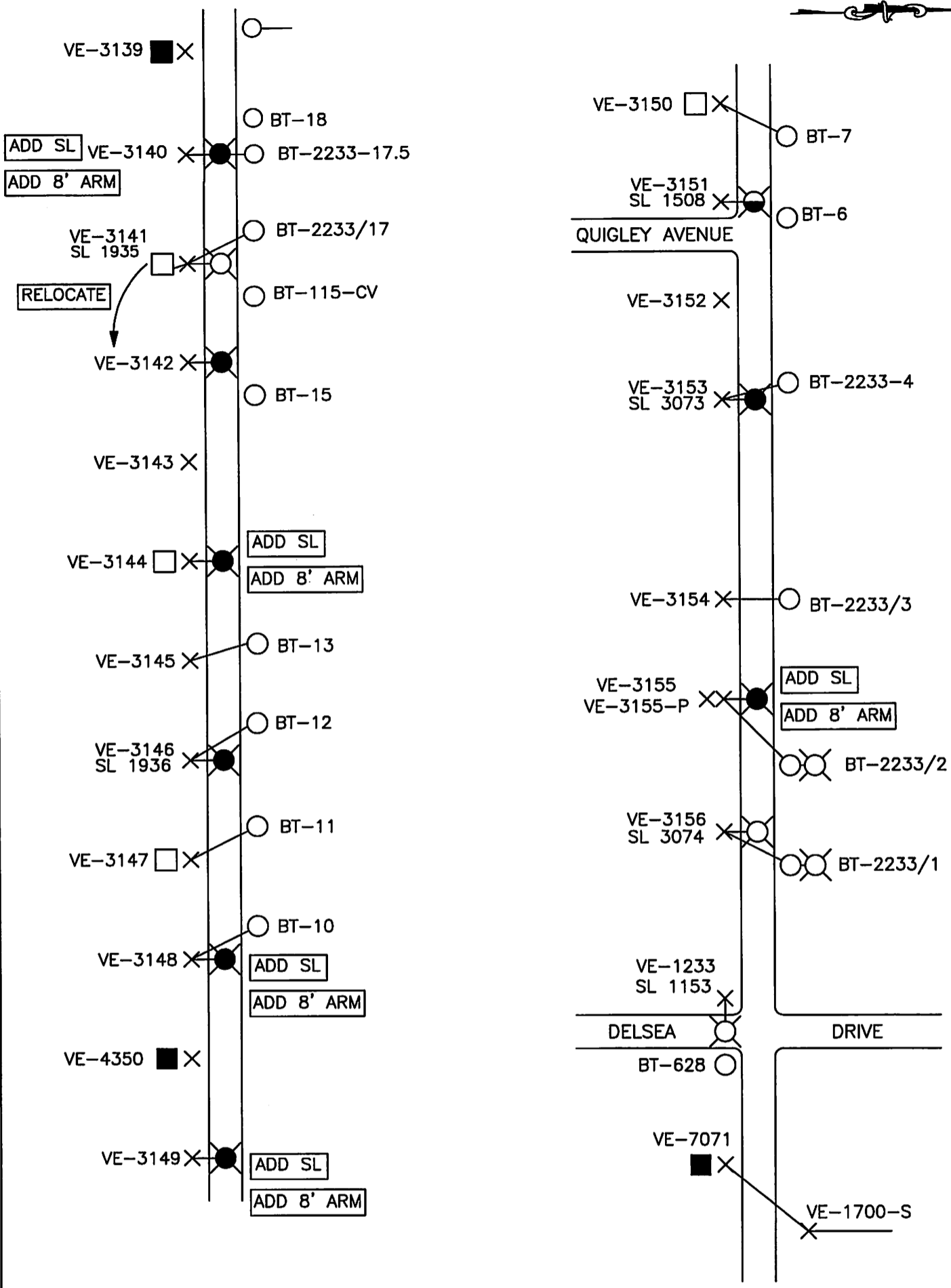
PROPOSED: Upgrade sixteen (16) existing street lights to 72W LED (relocating two), and three (3) to 108W LED (relocating two). Install thirteen (13) additional 72W LED street lights onto existing utility poles.

Yours truly,




Approved by :

John T. Boyle, Jr.
Assistant General Manager
Vineland Municipal Utilities

Attachments: DWG.#VMEU-2859



SHEET 3 OF 3

- KEY:**
-  EXISTING SL REMAIN AS IS
 -  INSTALL/REPLACE W/ (8) 72W LED
 -  INSTALL/REPLACE W/ (1) 108W LED

PROPOSED STREET LIGHT REVISION	
AREA OF ALMOND RD. BETWEEN MAURICE RIVER BRIDGE AND DELSEA DR.	
VINELAND MUNICIPAL ELECTRIC UTILITY	
VINELAND, NEW JERSEY	
DRAWN: EHS	VAULT # F-3-C
DATE: 3/13/2018	DRAWING # VMEU-2859
SCALE: NTS	CHECKED: