

RESOLUTION NO. 2021- 238

RESOLUTION AUTHORIZING A CONTRACT AWARD TO A STATE CONTRACT VENDOR, WINNER FORD, CHERRY HILL, NEW JERSEY, FOR THE PURCHASE OF A 2021 FORD UTILITY INTERCEPTOR BASE VEHICLE FOR PURCHASING/MAIL DIVISION, IN THE AMOUNT OF \$32,678.00.

WHEREAS, the City of Vineland, pursuant to N.J.S.A. 40a:11-12 and N.J.A.C. 5:34-7.29(C), may by resolution and without advertising for bids, purchase any goods or services under the State of New Jersey Cooperative Purchasing Program for any State contracts entered into on behalf of the Division of Purchase and Property in the Department of the Treasury; and

WHEREAS, the City of Vineland intends to enter into a contract with a State Contract Vendor for the purchase a 2021 Ford Utility Interceptor Base Vehicle for Purchasing/Mail Division, through this resolution and a properly executed contract, which shall be subject to all the conditions applicable to the current State contracts; and

WHEREAS, it has been recommended that a contract be awarded to Winner Ford, Cherry Hill, New Jersey (20-Fleet-01189) for the purchase of a 2021 Ford Utility Interceptor Base Vehicle for Purchasing/Mail Division, in the amount of \$32,678.00 in accordance with the quote from Winner Ford, Cherry Hill, New Jersey, attached hereto and made a part hereof; and

WHEREAS, the Chief Financial Officer has certified the availability of funds for said contract to be awarded; and

WHEREAS, the City of Vineland has certified that this meets the statute and regulations governing the award of said contracts.

NOW THEREFORE BE IT RESOLVED by the Council of the City of Vineland as follows:

1. That this contract for the purchase of a 2021 Ford Utility Interceptor Base Vehicle for Purchasing/Mail Division, as more specifically in the quote from Winner Ford attached hereto and made a part hereof, is awarded pursuant to N.J.S.A. 40A:11-12a and N.J.A.C. 5:34-7.29(c), under the State of New Jersey Cooperative Purchasing Program.
2. That the Purchasing Agent be and the same is hereby authorized to issue a contract to Winner Ford, Cherry Hill, New Jersey in the amount of \$32,678.00.

Adopted:

President of Council

ATTEST:

City Clerk

REQUEST FOR RESOLUTION
FOR COOPERATIVE CONTRACT AWARDS
UNDER 40A:11-12, N.J.A.C. 5:34-7.29 & LFN 2012-10
(REQUIRED FOR PURCHASES OVER \$17,500.00)

RECEIVED
APR 29 2021
CITY OF VINELAND
BUSINESS ADMIN.

(DATE)

1. Goods or Services (detailed description): 2021 Ford Utility Interceptor Base
Vehicle For Purchasing/Mail

2. Amount to be Awarded: \$ 32,678.00

- Encumber Total Award
 Encumber by Supplemental Release

3. Budgeted: By Ordinance No. _____
Or Grant: Title & Year _____

4. **Account Number to be Charged: C-04-00-000-2119-78014

5. Contract Period (if applicable): _____

6. Date to be Awarded: _____

7. Recommended Vendor and Address: WINNER Ford
250 Berlin Rd
Cherryhill NJ 08034

8. Justification for Vendor Recommendation: (attach add'l information for Council review)

Type of Contract: State National Regional County

Vendor's Cooperative Contract # 19-Fleet - 01189 expires 6-17-22
20- Per M. Mercado

9. Evaluation Performed by: DON SCHULTZ

10. Approved by: [Signature]

11. Attachments:

- Awarding Proposal
 Other: _____

• Send copies to:
Purchasing Department
Business Administration

[Signature]

**If more than one account #, provide break down

WINNER 
CHERRY HILL • winnerford.com

Linda Hoffman
856-21-0759 Phone
856-488-1915 Fax
lhoffman@winnerford.com
N.J. Contract # 19-FLEET-01189

Mail

2021 Ford Utility Interceptor Base Vehicle

29763.00

- 99B 3.3L V6 Engine
- 44U 10 Speed Auto Transmission
- Heavy Duty Rubber Floor
- Cloth Front Bucket/Vinyl Rear Seat
- Power Windows/Locks/Mirrors
- Air Conditioning
- AM/FM Stereo
- Tilt Steering
- Rear Window Defroster
- Radio Noise Suppression
- Headlamps Prep Pkg.
- Ford Telematics, includes Modem & 2 Year Trial Subscription
- 549 Power Heated Mirrors
- 18D Global lock/unlock feature
- 65U Interior Upgrade Package
- 65L Full Wheel Covers
- Skid Plate
- EAI53 80 Amp Power Source
- Perimeter Light

Total

30793.00

Slide Out Tray

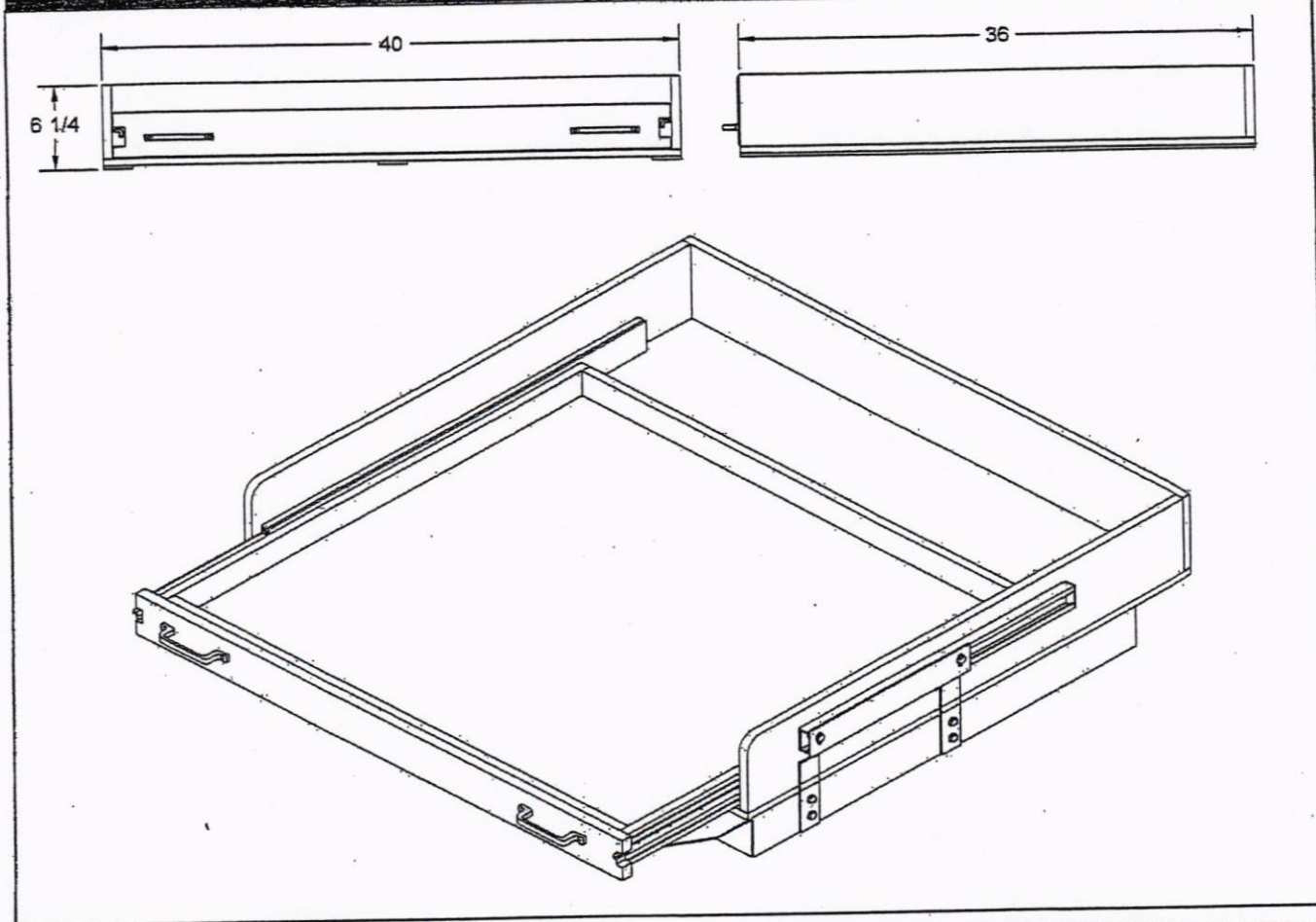
1705.00

COMPLETE COST OF VEHICLE:

32678.00

MAKE:	FORD	MODEL:	INTERCEPTOR	YEARS:	2020-
3RD ROW SEAT:	No	SPARE TIRE ACCESS:	Yes	STYLE:	

STOCK CODE: C12088



VAULT WIDTH:	40	INSIDE DRAWER LENGTH:	33 1/2
VAULT LENGTH:	36	INSIDE DRAWER WIDTH:	36
VAULT HEIGHT:	6 1/4	INSIDE DRAWER DIAGONAL:	49

ADDITIONAL INFORMATION:

NOTE: Overall Vault height may increase by 1/2" with protective front iron & carpet or 3/4" with all weather coating
 NOTE: Depending on the style, some locks will increase the Overall Vault length an additional 1-5/8"

Customer Signature: _____ Date: _____